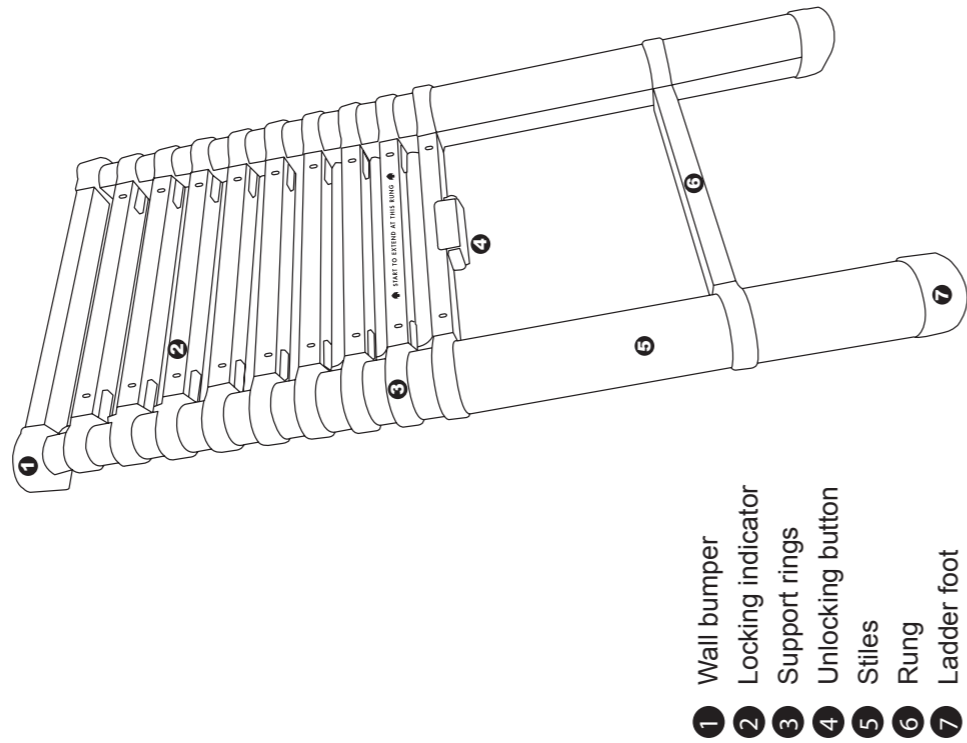




Instructions for telescopic ladder

TL Smart Up Easy

EN



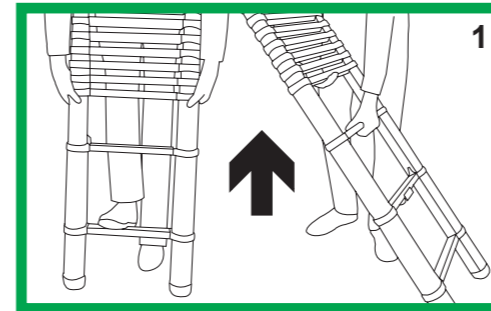
2.2 OPENING/EXTENDING AND POSITIONING THE LADDER

- Place the closed/collapsed ladder vertically on a stable and smooth surface, support it and place a foot on the centre of the fixed, lower rung (rung 1) to stabilise it (see diagram 3).
- You must open/extend the ladder from the lowest extending section and not from a central or upper section.
- Use both hands to take the stiles under the black supporting rings on rung 3 (the first rung on the extending section of ladder) and then pull the section upwards and extend fully (see diagram 3).
- Repeat the previous step and slide each of the ladder sections out (one by one) until you have reached the desired length (NB you will have to tilt the extended ladder in order to be able to slide out the higher ladder sections).
- Check to ensure that all locking indicators on the ladder (directly under each of the extending sections) are completely black (see diagram 2).
- Note the angle of incline of the ladder feet and the location of the straight supports on the wall bumpers with safety-grip and position the ladder with sufficient support and at an angle of 75 degrees to the horizontal surface (see diagrams 4 and 5).
- Make sure that the ladder is positioned securely with the ladder feet on a stable and smooth surface and that both supports on the wall bumpers with safety-grip are resting on a sturdy, vertical surface (e.g. a wall). Secure the top of the extended ladder or tie it up, if possible.
- Be particularly careful in bad weather (e.g. strong winds). Never put your safety at risk; postpone the use of the ladder if you have doubts.

2.3 EXTENDING/COLLAPSING AND POSITIONING THE LADDER

- Place the open/extended ladder upright and support it with a hand on one of the higher stiles; use your other hand to depress and release both unlocking buttons on the ladder (see diagram 6); this will unlock the lowest extended ladder section (the ladder sections will not collapse or close if these buttons are not pressed).
- Use both hands to hold the stiles and gently pull all of the ladder sections downwards (the lowest extended section will collapse completely and then the next extended section will be unlocked).
- If you are partially shortening the ladder, you must always follow the two previous steps from 2.3 in order to completely collapse the ladder and then the steps from 2.2 to extend the ladder to the desired (shorter) length.

READ THESE INSTRUCTION BEFORE USING THE LADDER KEEP THESE INSTRUCTIONS WITH THE LADDER AT ALL TIMES



1.

Always slide the ladder out from the bottom section. Start to slide the ladder out by pulling the two black support rings on the third rung upwards (from below) until the section locks. Repeat this procedure for each subsequent section until you have reached the desired length.



2

2.

Make sure that all of the extended sections are completely locked and the locking indicators are completely black. Never use or climb the ladder if a locking indicator (under each extended section) is completely red or half red/half black.



3

3.

Note the angled shape of the ladder feet and place the extended ladder (forwards) at an angle of 75 degrees from the horizontal surface with the support at the top. Never climb the back of the ladder and never do so if it has been positioned back-to-front.



4

4.

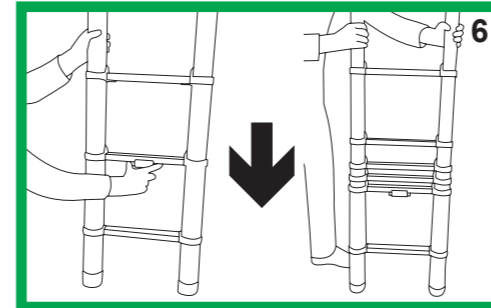
Place the straight supports on the wall bumpers with safety-grip at the top of the ladder against a suitable support (e.g. a wall). The wall bumpers offer grip and stability. Never allow the ladder to rest on the rungs or stiles.



5

5.

Never climb the ladder if the extending sections are not positioned correctly and the distance between all rungs on the extended section is not equal. Make sure that all sections are opened one after the other, and are fully extended and locked.



6

6.

In order to close the ladder, support it in a vertical position with one hand and use your other hand to depress and then release the unlocking buttons. Then use both hands to pull the extended sections downwards. The lowest extended section will shut first and then automatically unlock the next, extended section. Continue pulling the other sections downwards until the ladder is completely closed.

READ AND FOLLOW THE FULL INSTRUCTIONS THAT ARE SUPPLIED WITH THIS LADDER AS WELL AS THE SAFETY STICKERS THAT CAN BE FOUND ON THE LADDER ITSELF.

Altrex B.V.
P.O. Box 30160
8003 CD Zwolle
The Netherlands
www.altrex.com

1. General user information

Before using the telescopic ladder, read these instructions carefully! Save these instructions in case they are needed for future reference. Also study the illustrations/pictograms that are shown on the product itself.

General

Maximum usage weight 150 kg / To be used by a maximum of 1 person

Before use

- Maintain a telescopic ladder according to the instructions
- Remain alert. Concentrate when climbing a telescopic ladder and never do so under the influence of alcohol, medication or substances that may affect your ability to react.
- Should you transport the telescopic ladder, ensure that this is folded up and make sure that the telescopic ladder is properly supported and fixed in place.
- Upon receipt and before use of the telescopic ladder, check the condition and operation of all parts. A telescopic ladder must be completely collapsible! Make sure that all parts (including the feet and covers) are present.
- Every time before use, inspect the telescopic ladder for any defects, such as deformation or wear.
- Telescopic ladders that are used in a professional capacity must be inspected periodically by an expert.
- Every time before using the telescopic ladder make sure that it is suitable for its intended use. - Only use the telescopic ladder for the purpose for which it has been made.
- Never use a damaged or broken telescopic ladder. Temporary repairs are not permitted. Make sure that any damage to a telescopic ladder is repaired as soon as possible by a professional in this field, in any case before it is used again.
- As far as possible, ensure that the telescopic ladder is free from contamination by substances such as wet paint, mud, sand, dirt, snow and oil.
- Prior to use, carry out a risk analysis should you be obliged/required to do so by local or national legislation and regulations.
- Never use a telescopic ladder back to front or upside down.
- Dispose of telescopic ladders if they are broken, worn-out or irreparable.

Positioning and/or erecting a telescopic ladder

- A telescopic ladder in ladder position has to be positioned in such a way that the distance from the foot of the telescopic ladder to the wall is approximately equal to a quarter of the operational length of the ladder. The set-up angle will then be approximately 75°.
- Always stand the telescopic ladder on a firm, stable, horizontal surface, which is not slippery. This will ensure that the feet of the telescopic ladder cannot sink into the ground and/or slip away. Therefore, do not place the telescopic ladder on tables, boxes, crates or other unstable surfaces, such as muddy soil or loose sand.
- Position a telescopic ladder in such a way that each of its four points are adequately supported by a firm bearing surface, therefore never against a window, against circular or narrow pillars, poles or trees or against corners.
- Satisfy yourself that the telescopic ladder is sufficiently stable and if required, is secured to ensure it cannot slip.
- A telescopic ladder may never be repositioned if somebody is standing on the ladder, or from a position that is higher than the ladder.
- Take extra precautions if the telescopic ladder has to be positioned in front of a door opening, an opening window or in a corridor, etc. Make sure that nobody can walk against or under the telescopic ladder.
- Never position a telescopic ladder within a range of 2.5 m from non-insulated electrical components or low-voltage installations and networks which are under live current. Never position an aluminium telescopic ladder in the vicinity of components of high-voltage installations.
- Take care when using electrical equipment. Telescopic ladders conduct electric current. Always take precautions so that a power cable cannot become trapped or become caught when climbing, sliding or repositioning the telescopic ladder. Check beforehand that your tool's electrical cable is not damaged.
- Telescopic ladders must always be positioned on their feet and not on the step/rung.
- Always position a telescopic ladder as close as possible to the work to be carried out.

Use of the telescopic ladder

Attention!

If a telescopic ladder falls, immediately check if the ladder can be fully collapsed. If this is not possible, do not use the ladder! Deformities may lead to breakages.

- Never load a telescopic ladder in excess of 150 kg (= a person climbing telescopic ladder including any "baggage").
- When carrying out work, always keep both feet on a step/rung of the telescopic ladder. Never stand, for example, with just one foot on the telescopic ladder and the other foot resting on a window frame. Never reach or lean too far to the side when working on a telescopic ladder (max. 1 arm length). If the center of gravity is moved from the center of the telescopic ladder, this can become unstable and can collapse (rule of thumb: keep your navel between the uprights of the telescopic ladder). If necessary, reposition the telescopic ladder more frequently.
- Do not use a telescopic ladder to access other (higher) levels.
- Never climb a telescopic ladder any higher than the red rung or never higher than the 5th rung from the top (the maximum safe standing position).
- Telescopic ladders may only be used for light work and for short periods of time.
- If there is an unavoidable risk of direct contact with electricity, do not use this telescopic ladder!

- Do not use a telescopic ladder outdoors in high winds (force 6) or other unfavourable weather conditions.
- Never leave a telescopic ladder unsupervised that has already been set up for use. Think about (playing) children.
- When possible, close windows and doors (not emergency exits) in the immediate vicinity of the work.
- Climb the telescopic ladder when you have at least one hand free. When ascending/descending the telescopic ladder, hold on properly. This should always be done while facing the telescopic ladder. Holding a rung with at least one hand provides increased security should you slip or miss your footing.
- Do not use a telescopic ladder as a bridge (section).
- Wear sensible footwear to avoid slipping and/or painful knocks (no slippers, high-heeled shoes or clogs).
- Do not stand on a telescopic ladder for long periods without taking regular breaks.
- Tiredness is a risk!
- The telescopic ladder in ladder position should protrude by at least one metre above the required standing or step-over height.
- Any tools that are used while standing on a telescopic ladder have to be light and easy to use.
- Avoid any work that could cause sideways pressure on the telescopic ladder, such as drilling into hard stone. This can cause the telescopic ladder to tip over. While working, hold onto the telescopic ladder with at least one hand, or take precautions if it is not possible to hold on.
- No more than one person should stand on a telescopic ladder at the same time.
- Never reposition the telescopic ladder/folding ladder while somebody is standing on it.

Additional safety tips when using telescopic ladders

- The fact that telescopic ladders are equipped with locking and sliding parts means that it is important to keep these components clean in order for the equipment to function properly. For the telescopic action, it is also important that dirt does not build up between the sliding parts. It is, therefore, important to keep these ladders clean and dry and free from dirt.
- Never wear baggy clothing or jewellery. These could become caught when ascending or descending the telescopic ladder which could lead to a fall.
- Frequently check that the feet are not worn. Worn feet may damage the support surface, or can result in the telescopic ladder slipping.
- In the interest of personal safety, only use accessories or aids that have been recommended by Altrex.
- Do not leave any tools or other equipment at the bottom of the telescopic ladder which you might trip over.

Use, storage and maintenance

- This ladder is a precision product and must be treated as such, stored in suitable conditions and maintained as fully functional so that it remains safe and reliable.
- Transport the ladder is a fully closed position and carry it under your arm. Use one hand to hold one side of the unlocking housing on the underside of rung 2 (see image 1), support the product with an extended arm and stabilise the ladder with your other hand.
- Open and close the ladder slowly and carefully.
- Make sure that you do not bump into anything with the ladder. If any of the stiles are dented or damaged, the ladder will be difficult to use or may not work at all.
- Store the ladder fully closed and in a vertical position, standing on both feet and leaning against a vertical surface.
- Always store the ladder indoors. Damp conditions could have a detrimental effect on the condition and functioning of this product.
- Keep the ladder clean. Clean the stiles every now and then with a clean, dry cloth. Clean and dry the product immediately after exposure to damp conditions (e.g. rain). Paint or any other foreign materials could hinder the telescopic function and must be removed immediately.
- If the telescopic function becomes stiff, first clean the stiles with a clean, dry cloth and then apply a little silicon spray and remove any excess with a cloth.
- Replace worn out (or damaged) ladder feet and wall bumpers with safety-grip before they become completely worn. For your own safety, please only use original spare parts.
- With the exception of replacing ladder feet and wall bumpers with safety-grip, you may not dismantle or repair the product yourself.

Assembly and/or repair of replacement parts

Replacement parts supplied by Altrex must be assembled on the correct Altrex product and in the same way as the part that is replaced. Assembly (attachment) and/or repair is effectuated at the own risk and expense of the client. Altrex is not liable for damage caused by incorrect assembly and/or repair. For a fee, Altrex can be called in for the repair of your product, and/or the assembly of the parts in question.

Warranty conditions

This Altrex product has been designed, manufactured and tested with the greatest care. Our products meet all legal requirements applicable to climbing materials and, in addition, our own high Altrex standards are also applied. Should this product be used in accordance with the instructions and its intended use, a warranty will apply under the following conditions (the warranty period is indicated on the sticker at the side of our products):

1. Altrex guarantees the reliability of the product and the quality of the materials used.
2. We will rectify any defects that are covered by the warranty by replacing the defective part, or the product itself, or by supplying a part for replacement.
3. Any defects that occur as a result of the following are not covered by the warranty:
 - a. Use of the product contrary to its intended use or contrary to the instructions for use.
 - b. Normal wear and tear of the product.
 - c. Assembly or repair by the client or by third parties (with the exception of fitting the spare parts provided by Altrex as indicated above under point 2).
 - d. Any modified governmental regulations concerning the nature or quality of the material used in the product.

4. Any defects that are found upon the delivery of the product should be reported immediately to Altrex. Should notification of these defects not take place immediately, the warranty will be null and void. Any defects of the product have to be reported to Altrex or your Altrex dealer as soon as possible, but in any case within 14 days of the defect being found.
5. Should a claim be made under the warranty conditions, Altrex has to have the opportunity to be able to investigate the product in its Quality Centre. The client must make the product available for this purpose.
6. Should it be established during the investigation that the product has been used incorrectly, the costs of the investigation will be charged to the client.
7. Should the client ask for an investigation to be carried out by an independent institute, the costs for this investigation are at the expense of the client should it be established during the investigation that the product has been used incorrectly. The costs of the investigation are also at the expense of the client if, prior to this investigation, Altrex offered to repair or to replace the product at no charge to the client.

2. Operation and use instructions TL Smart-up Easy

IMPORTANT – READ ALL INSTRUCTIONS CAREFULLY BEFORE OPERATING OR USING THE LADDER

WARNING - DO NOT OPEN/EXTEND THE LADDER FROM A CENTRAL OR TOP SECTION. THE LADDER SECTIONS WILL NOT LOCK PROPERLY AND THIS COULD LEAD TO INJURY

2.1 SAFETY PROCEDURES

- **ALWAYS** read this and all other operation and safety instructions that correspond to the ladder.
- **ALWAYS** transport the ladder fully closed and carry it under your arm by holding the underside of the locking housing on the base of rung 2 (see diagram 1).
- **ALWAYS** take care with this precision product. Open and close the ladder slowly and carefully. If any of the stiles are dented or damaged, the ladder will be difficult to use or may not work at all.
- **ALWAYS** place the ladder at the correct angle (75 degrees to horizontal) and on a stable and even surface.
- **ALWAYS** ensure that the top of the ladder is supported by the wall bumpers with safety-grip against the wall, and not the stiles or rungs as this could damage them.
- **ALWAYS** check to make sure the locking indicators on the ladder under each of the extending parts are completely black and that all of the corresponding ladder locks are in the correct setting before ascending the ladder (see diagram 2).
- You must **ALWAYS** secure the top of the extended ladder or even attach it to something; be particularly careful during bad weather.
- **ALWAYS** position the ladder forwards and with the front facing you.
- Keep the ladder clean AT ALL TIMES. Clean the stiles every now and then with a clean, dry

cloth. Paint or any other foreign materials could hinder the telescopic function and must be removed immediately.

- **ALWAYS** store the ladder indoors. Damp conditions could have a detrimental effect on the condition and functioning of this product.
- **NEVER** use, operate or carry the ladder near electrical equipment. The ladder can conduct electricity.
- **NEVER** use the ladder in a contaminated/dusty environment. The penetration of foreign matter into the equipment will affect the telescopic function.
- **NEVER** submerge parts of the ladder in water as this will damage the product and affect the telescopic function.
- **NEVER** use the ladder backwards, upside-down or horizontally (bridge, sawing block, etc) as this could lead to injury and/or the product becoming damaged.
- **NEVER** climb an extended ladder higher than the fifth (red) rung from the top (NB if the ladder is not completely extended, the upper metre of the ladder is not to be climbed).
- **NEVER** burden the ladder with anything that exceeds the weight limit of 150kg.
- **NEVER** touch the unlocking mechanism when the ladder is being used.
- **NEVER** use an extended ladder if there is any doubt that all of the locks for the extended section are properly secured.
- **NEVER** slide the ladder in partially in order to make it shorter. **ALWAYS** slide all sections in and close the ladder; you can then open the ladder again and slide it out to the desired, shorter length.
- **NEVER** reach too far out and never lean backwards when you are on the ladder; **NEVER** pull/push the ladder in order to change its position (descend first and then move it to the desired location).

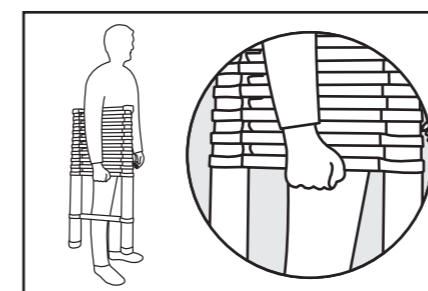


Diagram 1

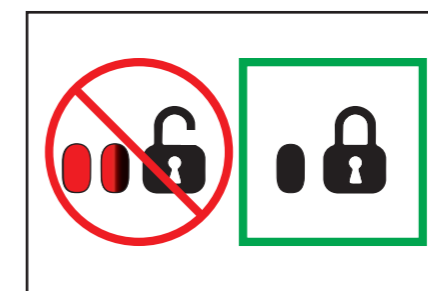


Diagram 2

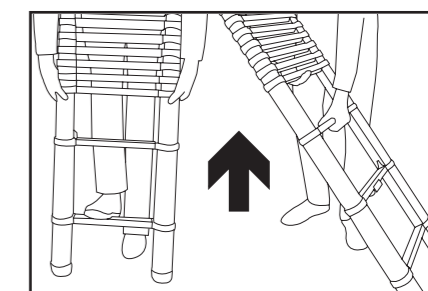


Diagram 3

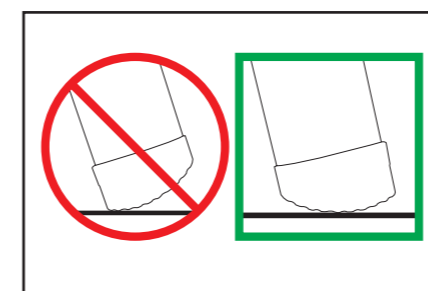


Diagram 4

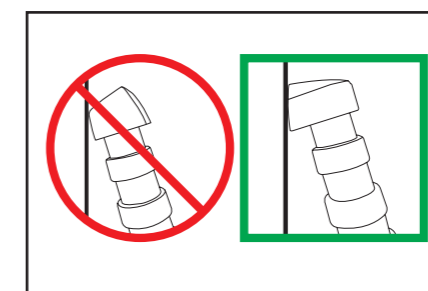


Diagram 5

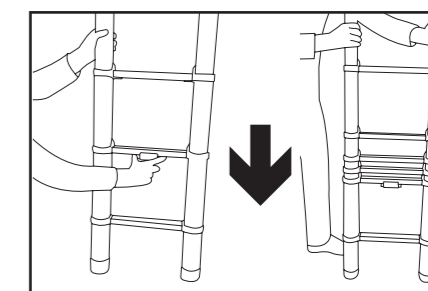


Diagram 6